



# PST ZP679

## RECTIFIER DIODE

### Features

- Blocking Capability up to 4500 V
- High Surge Rating
- Rugged Ceramic Hermetic Package

### ELECTRICAL CHARACTERISTICS AND RATINGS

#### Blocking

Parameter	Symbol	Min	Max	Typ	Unit	Conditions
Repetitive peak reverse voltage	$V_{RRM}$		4500		V	$T_j = -40\text{ °C to }150\text{ °C}$
Non repetitive peak reverse voltage	$V_{RSM}$		4600		V	$T_j = -40\text{ °C to }150\text{ °C}$
Repetitive peak reverse current	$I_{RRM}$		150		mA	$T_j = T_{jmax}$ , $V = V_{RRM}$

#### Conducting

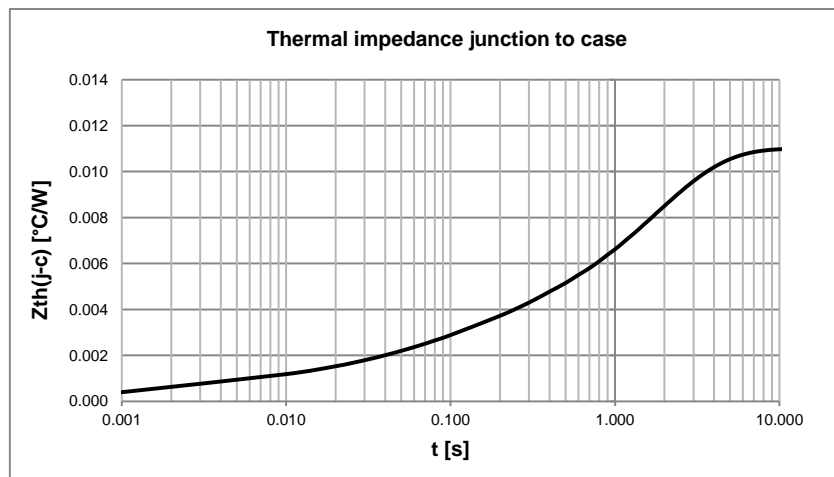
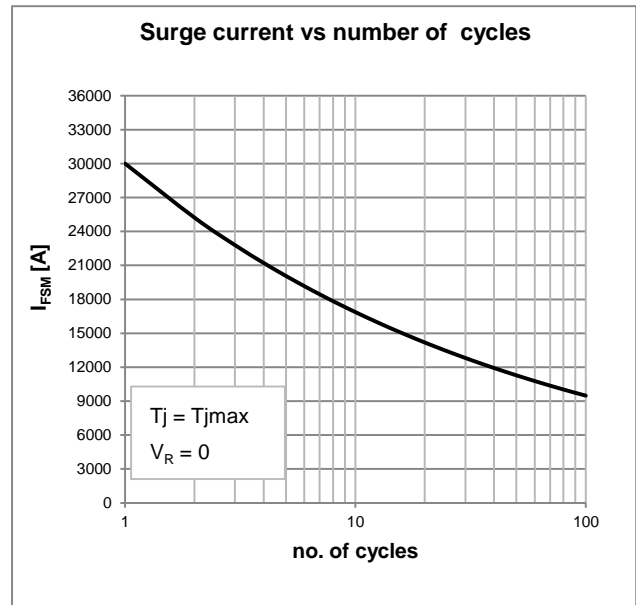
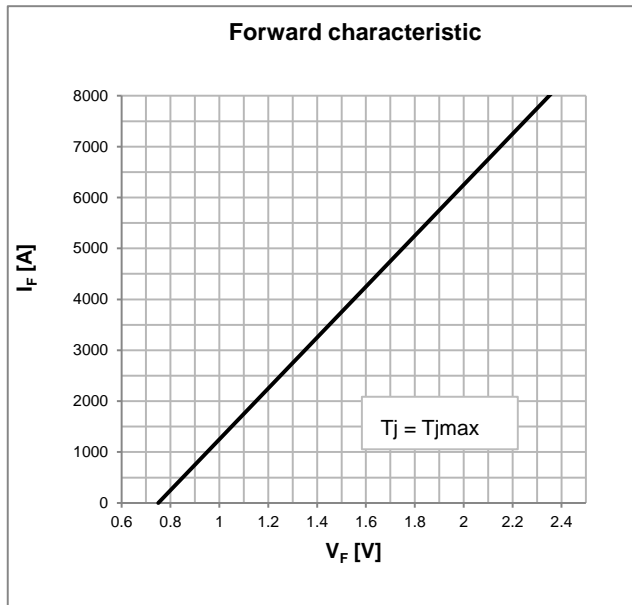
Parameter	Symbol	Min	Max	Typ	Unit	Conditions
Average value of forward current	$I_{F(AV)}$		2785		A	50 Hz sinewave, 180° conduction, $T_c = 85\text{ °C}$
RMS value of forward current	$I_{F(RMS)}$		4370		A	50 Hz sinewave, 180° conduction, $T_c = 85\text{ °C}$
Peak one cycle surge (non repetitive) current	$I_{FSM}$		30		kA	50 Hz sinewave, 180° conduction, $T_j = T_{jmax}$ , $V_R = 0$
I square t	$I^2 t$		4500		$kA^2s$	$T_j = T_{jmax}$
Peak forward voltage	$V_{FM}$		1.15		V	Forward current 2000 A, $T_j = T_{jmax}$
Threshold voltage	$V_{F(TO)}$		0.75		V	$T_j = T_{jmax}$
Forward slope resistance	$r_F$		0.200		mΩ	$T_j = T_{jmax}$

#### Thermal and mechanical characteristics and ratings

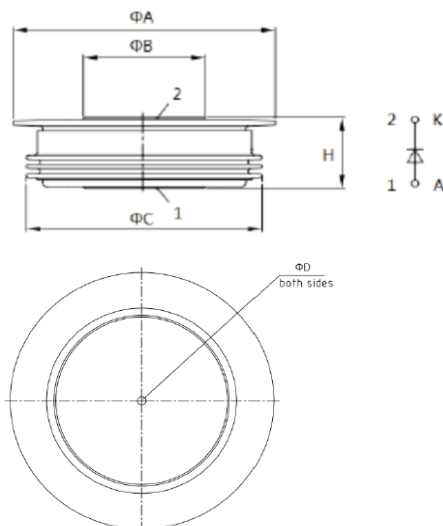
Parameter	Symbol	Min	Max	Typ	Unit	Conditions
Operating temperature	$T_j$	-40	150		°C	
Storage temperature	$T_{stg}$	-40	150		°C	
Thermal resistance junction to case	$R_{th(j-c)}$		0.011		°C/W	Double side cooled, 180° SIN
Thermal resistance case to sink	$R_{th(c-s)}$		0.003		°C/W	Mounting surfaces smooth, flat and greased
Mounting force	<b>F</b>	35	40		kN	
Weight	<b>W</b>			850	g	

# PST ZP679

## RECTIFIER DIODE



## OUTLINE AND DIMENSIONS



	A	B	C	D	H
mm	98	63	88	3.5 x 3	26 ± 1

- All the characteristics given in this data sheet are guaranteed only with uniform clamping force, cleaned and lubricated heatsink surfaces with flatness < 0.03 mm and roughness < 2μm