

PST ZP711N

RECTIFIER DIODE

Features

- Blocking Capability up to 6800 V
- High Surge Rating
- Rugged Ceramic Hermetic Package

ELECTRICAL CHARACTERISTICS AND RATINGS

Blocking

Parameter	Symbol	Min	Max	Typ	Unit	Conditions
Repetitive peak reverse voltage	V_{RRM}		6800		V	$T_j = -40\text{ °C to }160\text{ °C}$
Non repetitive peak reverse voltage	V_{RSM}		6900		V	$T_j = -40\text{ °C to }160\text{ °C}$
Repetitive peak reverse current	I_{RRM}		50		mA	$T_j = T_{jmax}, V = V_{RRM}$

Conducting

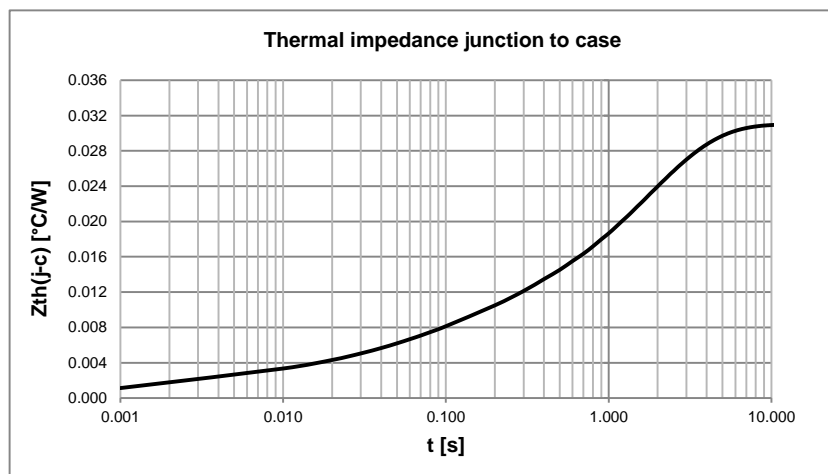
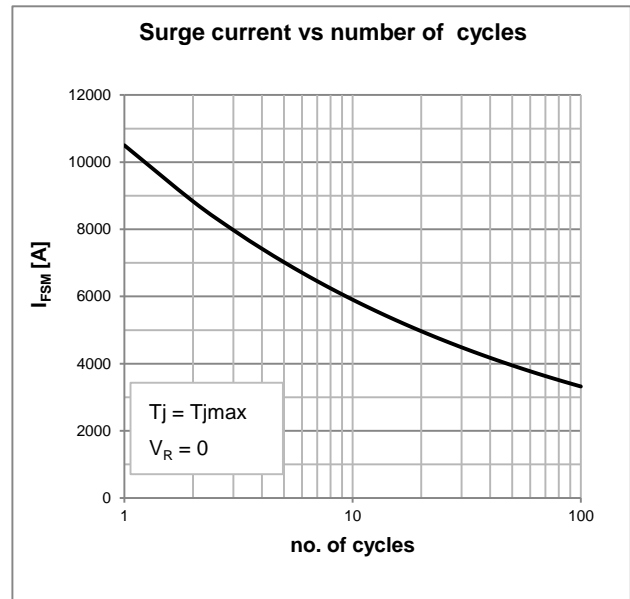
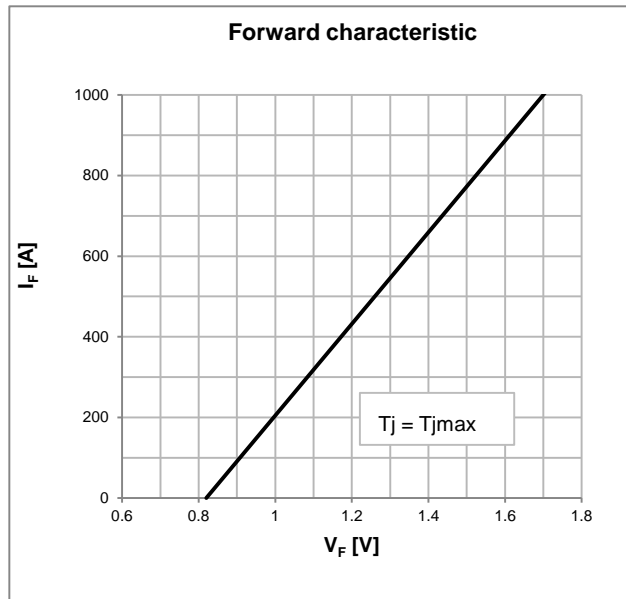
Parameter	Symbol	Min	Max	Typ	Unit	Conditions
Average value of forward current	$I_{F(AV)}$		884		A	50 Hz sinewave, 180° conduction, $T_c = 85\text{ °C}$
RMS value of forward current	$I_{F(RMS)}$		1388		A	50 Hz sinewave, 180° conduction, $T_c = 85\text{ °C}$
Peak one cycle surge (non repetitive) current	I_{FSM}		10.5		kA	50 Hz sinewave, 180° conduction, $T_j = T_{jmax}, V_R = 0$
I square t	$I^2 t$		551		kA^2s	$T_j = T_{jmax}$
Peak forward voltage	V_{FM}		1.88		V	Forward current 1200 A, $T_j = T_{jmax}$
Threshold voltage	$V_{F(TO)}$		0.82		V	$T_j = T_{jmax}$
Forward slope resistance	r_F		0.88		mΩ	$T_j = T_{jmax}$

Thermal and mechanical characteristics and ratings

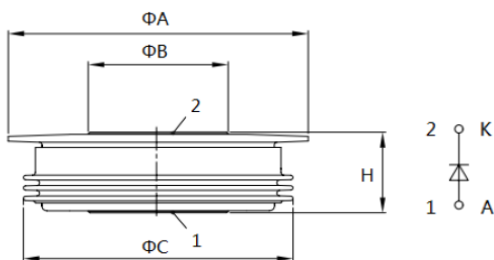
Parameter	Symbol	Min	Max	Typ	Unit	Conditions
Operating temperature	T_j	-40	160		°C	
Storage temperature	T_{stg}	-40	160		°C	
Thermal resistance junction to case	$R_{th(j-c)}$		0.031		°C/W	Double side cooled, 180° SIN
Thermal resistance case to sink	$R_{th(c-s)}$		0.006		°C/W	Mounting surfaces smooth, flat and greased
Mounting force	F	10	16		kN	
Weight	W			275	g	

PST ZP711N

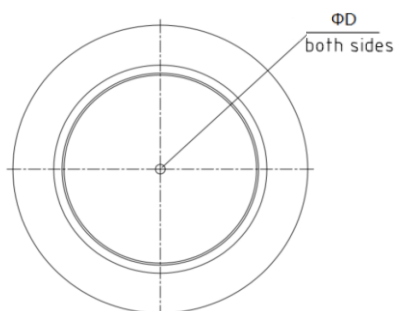
RECTIFIER DIODE



OUTLINE AND DIMENSIONS



	A	B	C	D	H
mm	59	34	53	3.5 x 3	26 ± 1



- All the characteristics given in this data sheet are guaranteed only with uniform clamping force, cleaned and lubricated heatsink surfaces with flatness < 0.03 mm and roughness < 2 μm