

PST MTC55

THYRISTOR MODULE

Features:

- Electrically isolated base plate
- High surge capability
- Hard soldered joints for high reliability

Typical applications:

- AC motor soft starters
- DC motor control (e.g. for machine tools)
- Temperature control (e.g. for ovens, chemical processes)

ELECTRICAL CHARACTERISTICS AND RATINGS

Reverse blocking - Off-state

| Device Type | V_{RRM} (1) | V_{DRM} (1) | V_{RSM} (1) |
|-------------|---------------|---------------|---------------|
| PST MTC55 | 1600 V | 1600 V | 1700 V |

V_{RRM} = Repetitive peak reverse voltage

V_{DRM} = Repetitive peak off-state voltage

V_{RSM} = Non repetitive peak reverse voltage (2)

| | | |
|---|--------------------|---------------------|
| Repetitive reverse and off-state peak leakage current | I_{RRM}, I_{DRM} | 15 mA (3) |
| Critical rate of rise of off-state voltage | dv/dt | 1000 V/ μ s (4) |

Notes:

All ratings are specified for $T_j = 25^\circ\text{C}$ unless otherwise stated.

(1) All voltage ratings are specified for an applied 50Hz/60Hz sinusoidal waveform over the temperature range to $+125^\circ\text{C}$.

(2) 10 ms max. pulse width

(3) Maximum value for $T_j = T_{jmax}$

(4) Min. value for linear and exponential wave shape to 80% rated V_{DRM} .

Gate open. $T_j = T_{jmax}$

Conducting

| Parameter | Symbol | Min | Max | Typ | Unit | Conditions |
|---|--------------|-----|------|-----|-----------------------|---|
| Average value of on-state current | $I_{T(AV)}$ | | 55 | | A | 50 Hz sine wave, 180° conduction, $T_c = 85^\circ\text{C}$ |
| RMS value of on-state current | $I_{T(RMS)}$ | | 90 | | A | 50 Hz sine wave, 180° conduction, $T_c = 85^\circ\text{C}$ |
| Surge non repetitive current | I_{TSM} | | 1.25 | | kA | 50 Hz sine wave Half cycle |
| I squared t | $I^2 t$ | | 7.8 | | kA^2s | $V_R = 0$ $T_j = T_{jmax}$ |
| Peak on-state voltage | V_{TM} | | 1.3 | | V | On-state current 165 A, $T_j = T_{jmax}$ |
| Threshold voltage | $V_{T(TO)}$ | | 0.88 | | V | $T_j = T_{jmax}$ |
| On-state slope resistance | r_T | | 2.5 | | m Ω | $T_j = T_{jmax}$ |
| Holding current | I_H | | | 200 | mA | $T_j = 25^\circ\text{C}$ |
| Latching current | I_L | | | 400 | mA | $T_j = 25^\circ\text{C}$ |
| Critical rate of rise of on-state current | di/dt | | 150 | | A/ μ s | $I_G = 5 I_{GT}$, $t_r = 1 \mu\text{s}$, $T_j = T_{jmax}$ |
| RMS isolation voltage | V_{INS} | | 3000 | | V | AC 50 Hz, 60 s |

PST MTC55

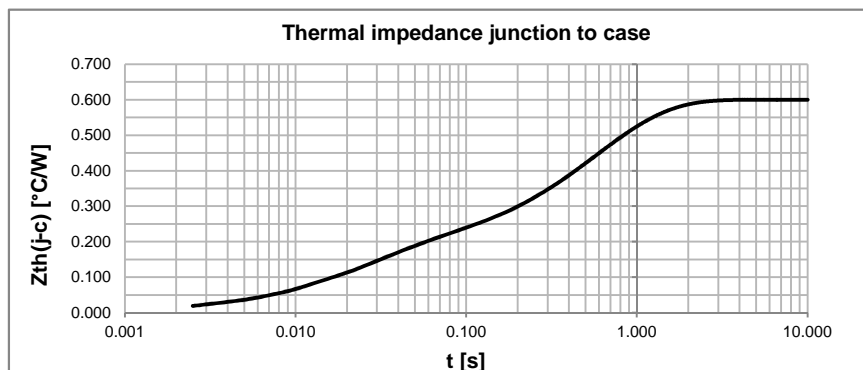
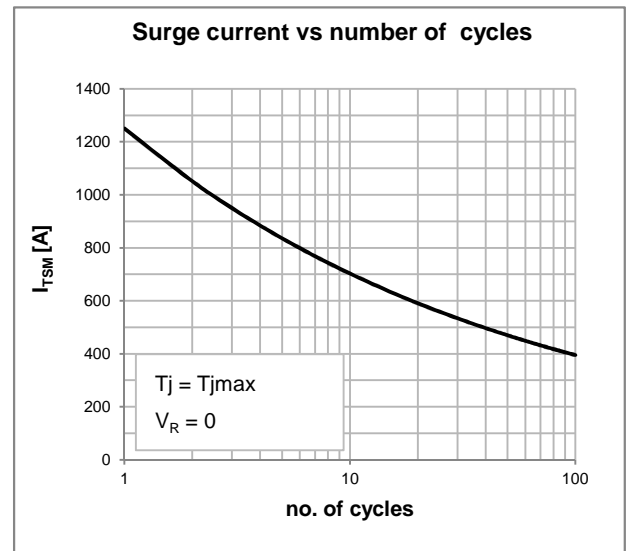
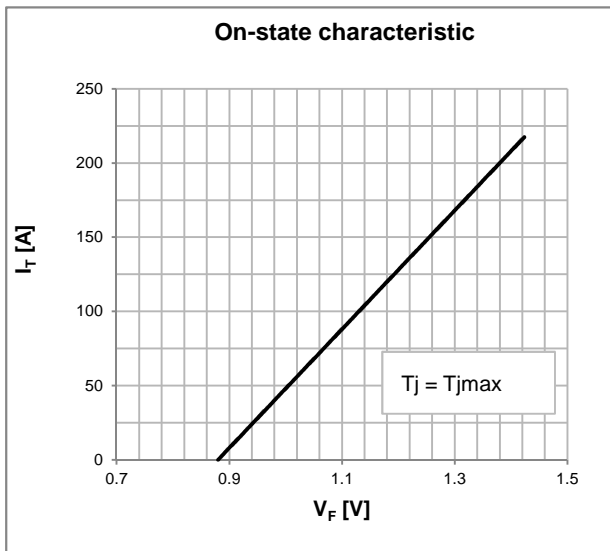
THYRISTOR MODULE

Triggering

| Parameter | Symbol | Min | Max | Typ | Unit | Conditions |
|--------------|----------|-----|-----|-----|------|---|
| Gate current | I_{GT} | | 100 | | mA | $V_D = 6\text{ V}; R_L = 3\ \Omega; T_J = 25\text{ }^\circ\text{C}$ |
| Gate voltage | V_{GT} | | 2.5 | | V | $V_D = 6\text{ V}; R_L = 3\ \Omega; T_J = 25\text{ }^\circ\text{C}$ |

Thermal and mechanical characteristics and ratings

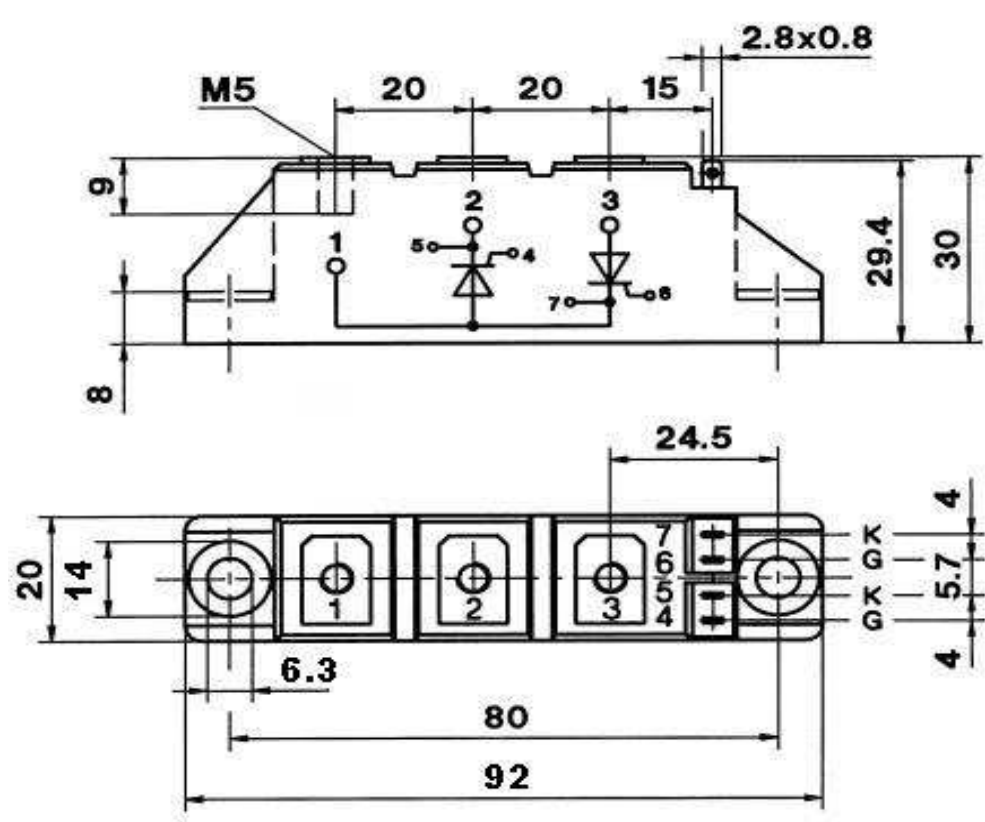
| Parameter | Symbol | Min | Max | Typ | Unit | Conditions |
|--|---------------|-----|-------|-----|--------------------|--|
| Operating temperature | T_j | -40 | 125 | | $^\circ\text{C}$ | |
| Storage temperature | T_{stg} | -40 | 125 | | $^\circ\text{C}$ | |
| Thermal resistance junction to case (per module) | $R_{th(j-c)}$ | | 0.300 | | $^\circ\text{C/W}$ | SIN 180° conduction mounting surfaces smooth, flat and greased |
| Thermal resistance case to sink (per module) | $R_{th(c-s)}$ | | 0.100 | | $^\circ\text{C/W}$ | |
| Mounting torque case-heatsink | T | 4 | 6 | | N·m | |
| Mounting torque busbar-terminals | T | 2.5 | 3.5 | | N·m | |
| Weight | W | | | 100 | g | |



PST MTC55

THYRISTOR MODULE

OUTLINE AND DIMENSIONS



(all dimensions in mm)